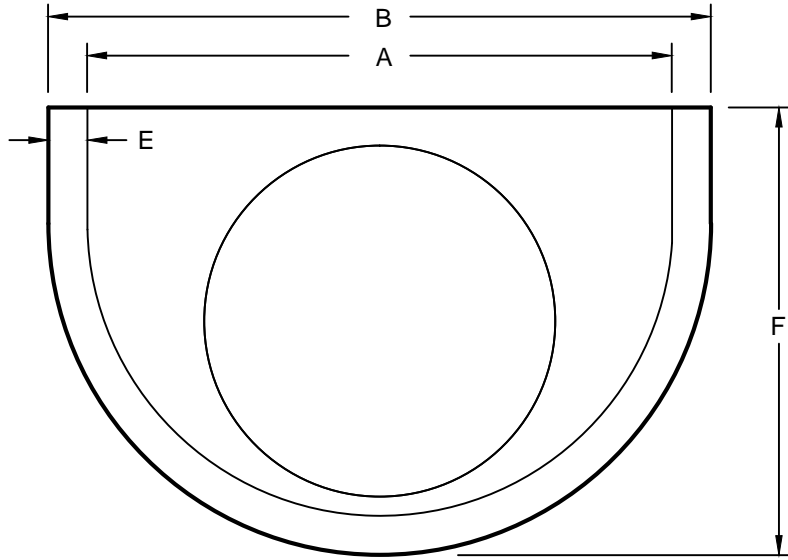


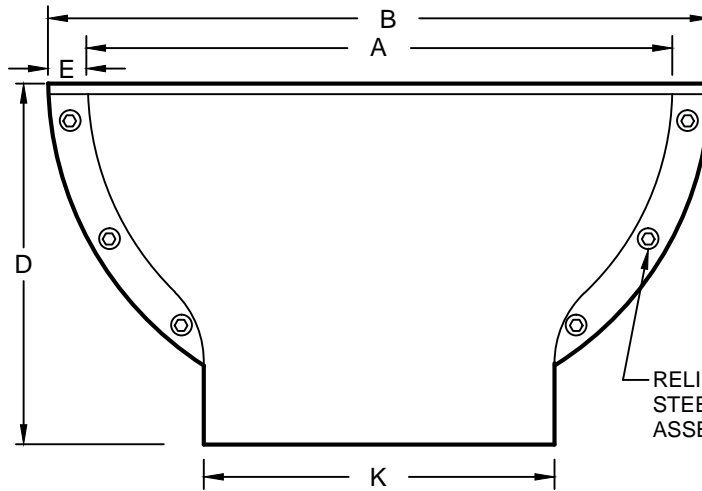
**OPTIONAL FORCE LINE HOOD**  
24/12, 24/15 L=13.5" M=9.5"



**TOP VIEW**

**MODEL # AND DIMENSIONS**

|   | 24/12F | 24/15F |
|---|--------|--------|
| A | 24.5"  | 24.5"  |
| B | 28.5"  | 28.5"  |
| C | 12.3"  | 12.3"  |
| D | 15.0"  | 15.8"  |
| E | 2.0"   | 2.0"   |
| F | 16.5"  | 19.3"  |
| G | 15.3"  | 18.0"  |
| H | 2.8"   | 3.5"   |
| I | 1.5"   | 1.8"   |
| K | 12.4"  | 14.8"  |



**FRONT VIEW**

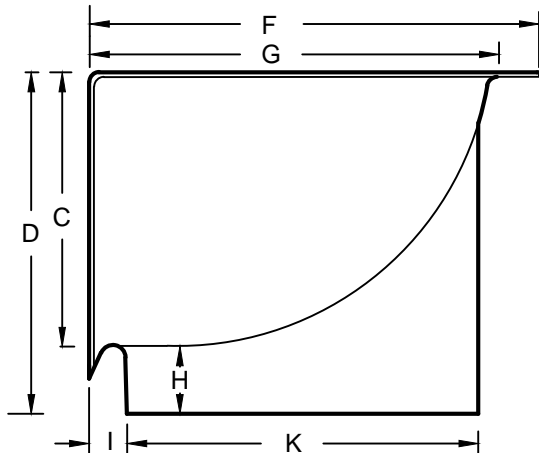
**MODEL #**

24/12F - 24" DROP BOWL WITH 12" OUTLET - USE FOR FLAT WALL  
24/15F - 24" DROP BOWL WITH 15" OUTLET - USE FOR FLAT WALL

THE "24/12" BOWL WILL SERVICE UP THROUGH FULL 16" INLETS. THE "24/15" BOWL WILL SERVICE UP THROUGH FULL 18" INLETS. CAN BE USED FOR 21" MODERATE FLOW INLETS. ALL SIZES ARE FOR RETROFIT OR NEW CONSTRUCTION. FABRICATED IN MARINE GRADE FIBERGLASS AND FINISHED IN BRIGHT WHITE GEL COAT.

USE 6 RELINER ANCHOR ASSEMBLIES TO ATTACH DROP BOWL TO MANHOLE WALL. USE RELINER STAINLESS STEEL PIPE BRACKETS TO SUPPORT DOWN PIPE. EXTERNAL PIPE COUPLER REQUIRED. PROVIDE SWEEP AT DOWN PIPE OUTLET.

MADE IN U.S.A.  
U.S. PAT. # 6074130  
CANADIAN PAT. # 2269565



**SIDE VIEW**

**RELINER / DURAN, INC.**

53 MT. ARCHER ROAD, LYME, CT. 06371  
(800) 508-6001 FAX: (877)434-3197

WWW.RELINER.COM

| DESCRIPTION  | DATE     | SCALE |
|--|----------|-------|
| 24/12 DROP BOWL<br>24/15 DROP BOWL<br>FOR FLAT WALLS | 11/28/16 | NONE  |
| DRAWING NUMBER<br><b>24/12F 24/15F</b>               |          |       |