

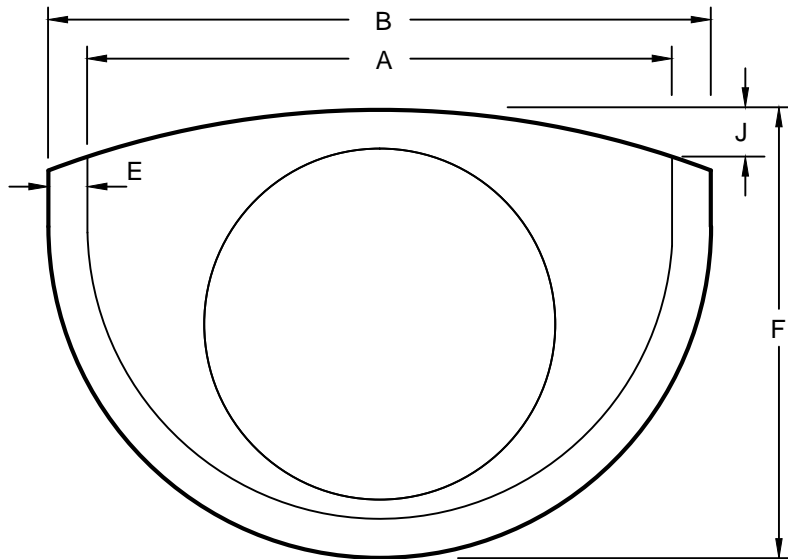
OPTIONAL FORCE LINE HOOD

24/12, 24/15 L=13.5" M=9.5"

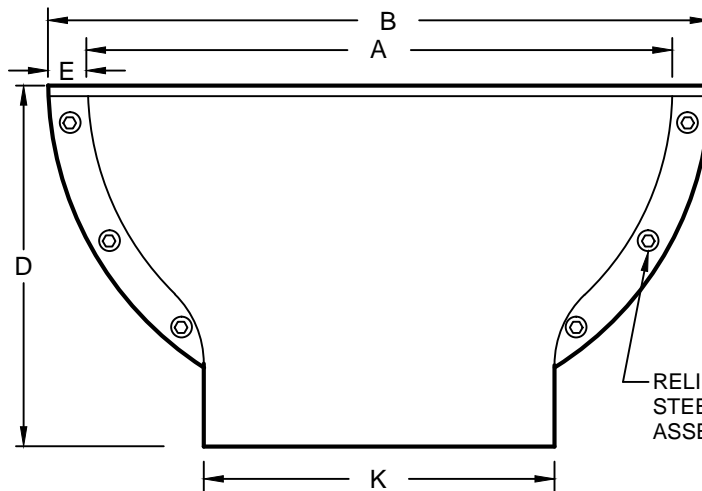
MODEL # AND DIMENSIONS

	24/12R60	24/12R96	24/12R144
A	24.0"	24.0"	24.0"
B	27.5"	27.5"	27.5"
C	12.3"	12.3"	12.3"
D	15.0"	15.0"	15.0"
E	1.8"	1.8"	1.8"
F	16.5"	16.5"	16.5"
G	15.0"	15.0"	15.0"
H	2.8"	2.8"	2.8"
I	1.5"	1.5"	1.5"
J	2.5"	1.5"	1.0"
K	12.4"	12.4"	12.4"

	24/15R60	24/15R96	24/15R144
A	24.0"	24.0"	24.0"
B	28.0"	28.0"	28.0"
C	12.3"	12.3"	12.3"
D	15.8"	15.8"	15.8"
E	2.0"	2.0"	2.0"
F	19.3"	19.3"	19.3"
G	18.0"	18.0"	18.0"
H	3.5"	3.5"	3.5"
I	1.8"	1.8"	1.8"
J	2.5"	1.5"	1.0"
K	14.8"	14.8"	14.8"



TOP VIEW



FRONT VIEW

MODEL #

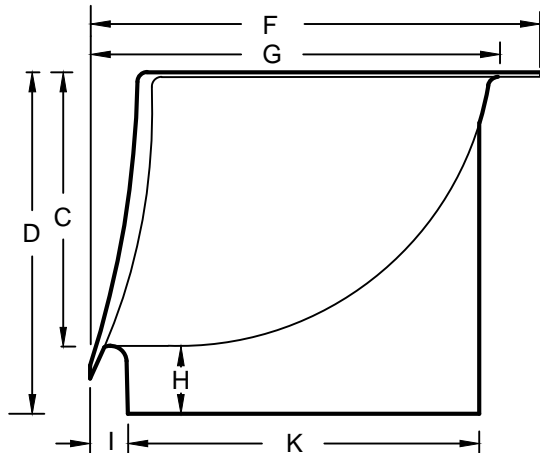
24/12R60 - 24" DROP BOWL WITH 12" OUTLET - USE FOR 4' - 6' DIA MH
 24/12R96 - 24" DROP BOWL WITH 12" OUTLET - USE FOR 7' - 8' DIA MH
 24/12R144 - 24" DROP BOWL WITH 12" OUTLET - USE FOR 9' - 12' DIA MH

24/15R60 - 24" DROP BOWL WITH 15" OUTLET - USE FOR 4' - 6' DIA MH
 24/15R96 - 24" DROP BOWL WITH 15" OUTLET - USE FOR 7' - 8' DIA MH
 24/15R144 - 24" DROP BOWL WITH 15" OUTLET - USE FOR 9' - 12' DIA MH

THE "24/12" BOWL WILL SERVICE UP THROUGH FULL 16" INLETS. THE "24/15" BOWL WILL SERVICE UP THROUGH FULL 18" INLETS. CAN BE USED FOR 21" MODERATE FLOW INLETS. ALL SIZES ARE FOR RETROFIT OR NEW CONSTRUCTION. FABRICATED IN MARINE GRADE FIBERGLASS AND FINISHED IN BRIGHT WHITE GEL COAT.

USE 6 RELINER ANCHOR ASSEMBLIES TO ATTACH DROP BOWL TO MANHOLE WALL. USE RELINER STAINLESS STEEL PIPE BRACKETS TO SUPPORT DOWN PIPE. EXTERNAL PIPE COUPLER REQUIRED. PROVIDE SWEEP AT DOWN PIPE OUTLET.

MADE IN U.S.A.
 U.S. PAT. # 6074130
 CANADIAN PAT. # 2269565



SIDE VIEW

RELINER / DURAN, INC.

53 MT. ARCHER ROAD, LYME, CT. 06371
 (800) 508-6001 FAX: (877)434-3197

WWW.RELINER.COM

DESCRIPTION	DATE	SCALE
24/12R DROP BOWLS 24/15R DROP BOWLS FOR ROUND WALLS	11/28/16	NONE
DRAWING NUMBER		
24/12R 24/15R		