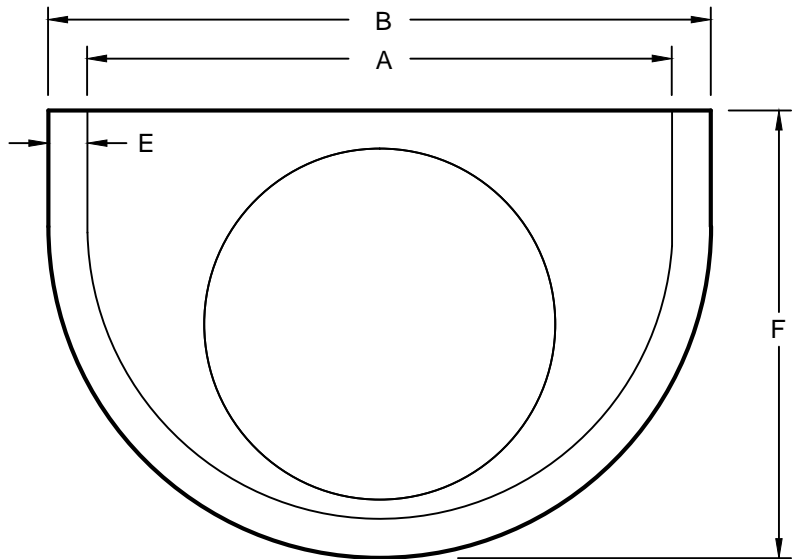


OPTIONAL FORCE LINE HOOD

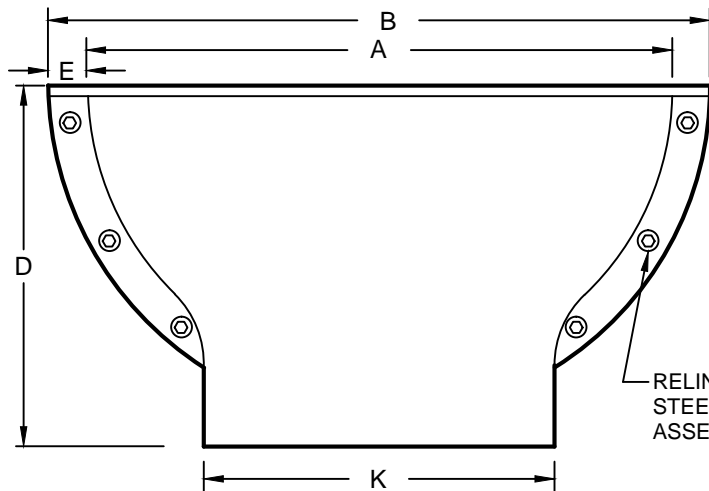
30/18 L=16.0" M=11.8"



TOP VIEW

MODEL # AND DIMENSIONS

	30/18F
A	30.5"
B	34.3"
C	15"
D	18.5"
E	1.9"
F	23.5"
G	21.0"
H	3.5"
I	2.0"
K	17.9"



FRONT VIEW

RELINER STAINLESS STEEL ANCHOR BOLT ASSEMBLY

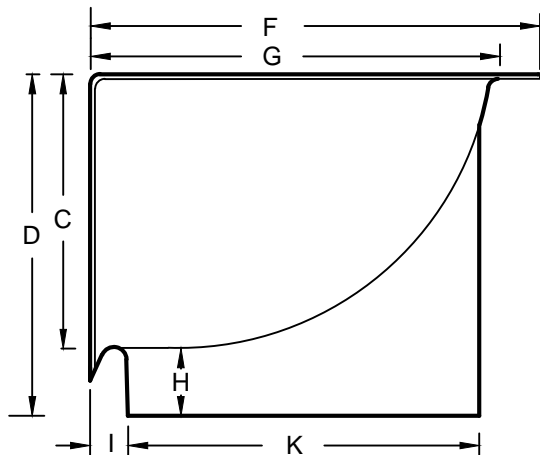
MODEL #

30/18F - 30" DROP BOWL WITH 18" OUTLET - USE FOR FLAT WALL

THE "30/18" BOWL WILL SERVICE UP THROUGH FULL 21" INLETS. CAN BE USED FOR 24" MODERATE FLOW INLETS. ALL SIZES ARE FOR RETROFIT OR NEW CONSTRUCTION. FABRICATED IN MARINE GRADE FIBERGLASS AND FINISHED IN BRIGHT WHITE GEL COAT.

USE 6 RELINER ANCHOR ASSEMBLIES TO ATTACH DROP BOWL TO MANHOLE WALL. USE RELINER STAINLESS STEEL PIPE BRACKETS TO SUPPORT DOWN PIPE. EXTERNAL PIPE COUPLER REQUIRED. PROVIDE SWEEP AT DOWN PIPE OUTLET.

MADE IN U.S.A.
U.S. PAT. # 6074130
CANADIAN PAT. # 2269565



SIDE VIEW

RELINER / DURAN, INC.

53 MT. ARCHER ROAD, LYME, CT. 06371
(800) 508-6001 FAX: (877)434-3197

WWW.RELINER.COM

DESCRIPTION	DATE	SCALE
30/18F DROP BOWL FOR FLAT WALLS	11/28/16	NONE
	DRAWING NUMBER	
		30/18F