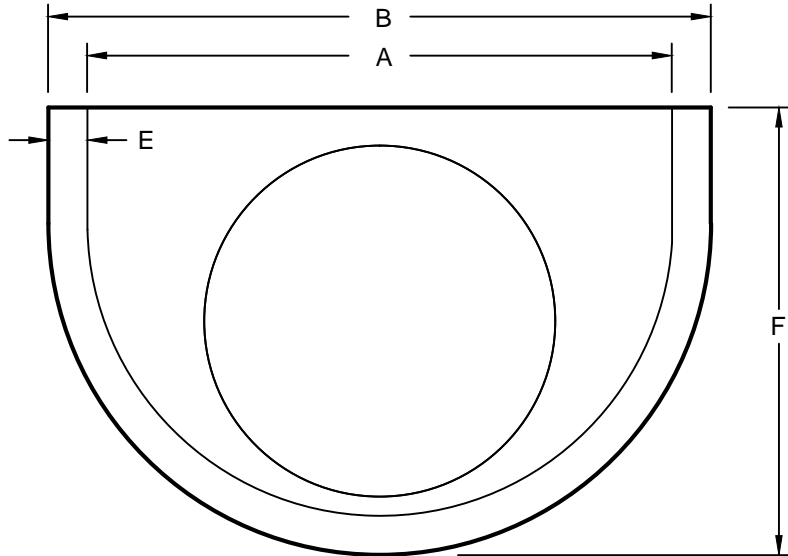
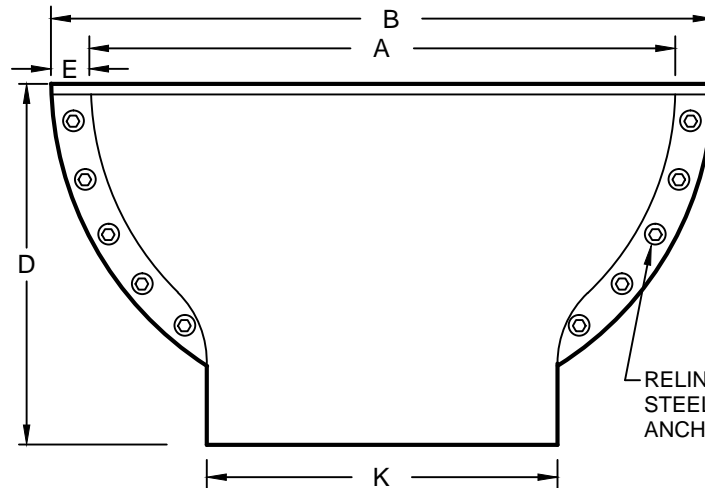


OPTIONAL FORCE LINE HOOD

36/21 L=18.8" M=14.0"
48/24 L=20.0" M=17.0"



TOP VIEW



FRONT VIEW

RELINER 3" STAINLESS
STEEL WEDGE
ANCHORS

MODEL # AND DIMENSIONS

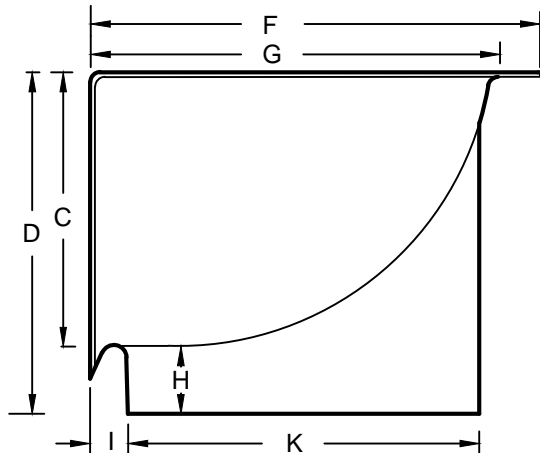
	36/21F	48/24F
A	36.0"	50.0"
B	39.8"	53.3"
C	18.0"	22.6"
D	23.0"	28.9"
E	1.9"	1.7"
F	31.8"	28.9"
G	30.1"	27.0"
H	5.0"	6.3"
I	2.5"	2.0"
K	21.1"	25.1"

MODEL #

36/21F - 36" DROP BOWL WITH 21" OUTLET - USE FOR FLAT WALL
48/24F - 48" DROP BOWL WITH 24" OUTLET - USE FOR FLAT WALL

THE "36/21" BOWL WILL SERVICE UP THROUGH FULL 24" INLETS AND CAN BE USED FOR 27" AND 30" MODERATE FLOW INLETS. THE "48/24" BOWL WILL SERVICE UP THROUGH FULL 36" INLETS. CAN BE USED FOR 42" MODERATE FLOW INLETS. ALL SIZES ARE FOR RETROFIT OR NEW CONSTRUCTION. FABRICATED IN MARINE GRADE FIBERGLASS AND FINISHED IN BRIGHT WHITE GEL COAT.

USE 8 - 3" RELINER WEDGE ANCHORS FOR "36/21" BOWLS AND 10 - 3" WEDGE ANCHORS FOR "48/24" BOWLS TO ATTACH DROP BOWL TO MANHOLE WALL. USE RELINER STAINLESS STEEL PIPE BRACKETS TO SUPPORT DOWN PIPE. EXTERNAL PIPE COUPLER REQUIRED. PROVIDE SWEEP AT DOWN PIPE OUTLET.



SIDE VIEW

MADE IN U.S.A.
U.S. PAT. # 6074130
CANADIAN PAT. # 2269565

RELINER / DURAN, INC.

53 MT. ARCHER ROAD, LYME, CT. 06371
(800) 508-6001 FAX: (877)434-3197

WWW.RELINER.COM

DESCRIPTION	DATE	SCALE
36/21F DROP BOWL 48/24F DROP BOWL FOR FLAT WALLS	11/28/16	NONE
DRAWING NUMBER		
36/21F 48/24F		