

OPTIONAL FORCE LINE HOOD

36/21 L=18.8" M=14.0"
48/24 L=20.0" M=17.0"

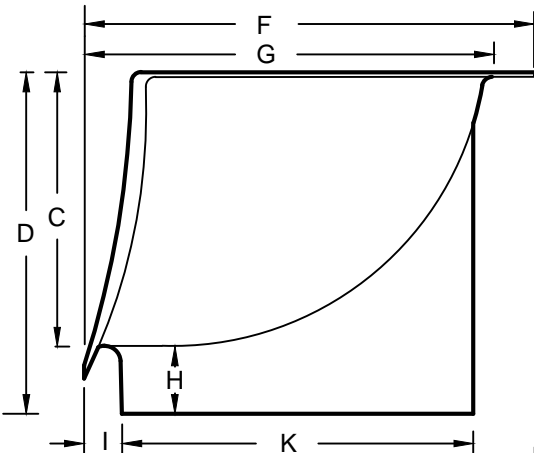
MODEL # AND DIMENSIONS

	36/21R60	36/21R144
A	35.3"	36.0"
B	38.8"	39.3"
C	18.0"	18.0"
D	23.0"	22.8"
E	1.8"	1.6"
F	31.6"	31.0"
G	29.9"	29.0"
H	5.0"	4.8"
I	2.0"	2.8"
J	6.0"	2.3"
K	21.1"	21.1"

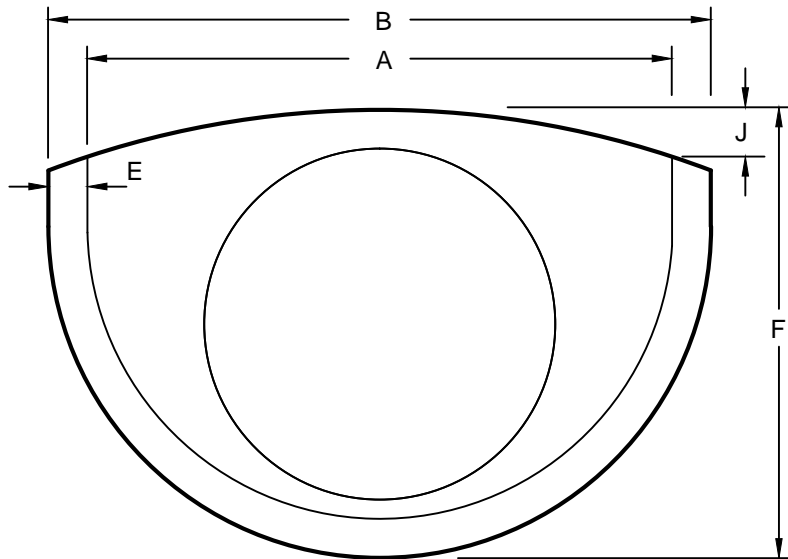
	48/24R72	48/24R96	48/24R144
A	48.0"	48.0"	48.0"
B	51.0"	51.4"	51.4"
C	24.0"	24.0"	24.0"
D	30.0"	30.0"	30.0"
E	1.5"	1.7"	1.7"
F	30.5"	30.5"	30.5"
G	28.6"	28.6"	28.6"
H	6.0"	6.0"	6.0"
I	2.0"	2.0"	2.0"
J	9.2"	6.4"	4.1"
K	25.1"	25.1"	25.1"

MODEL #

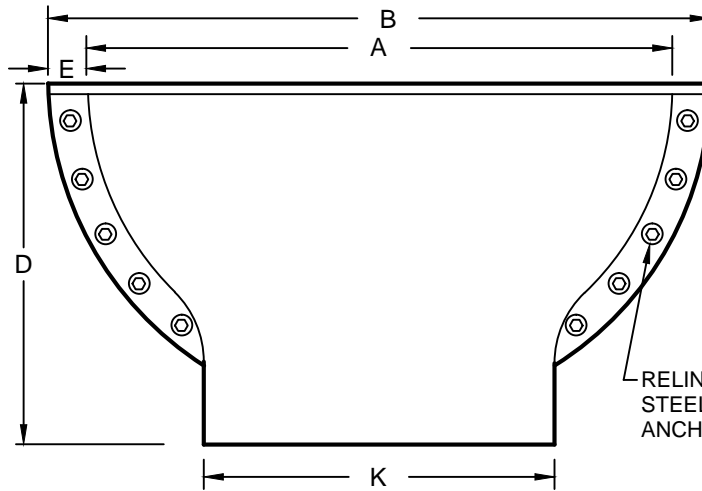
36/21R60 - 36" DROP BOWL WITH 21" OUTLET - USE FOR 5' DIA MH
 36/21R144 - 36" DROP BOWL WITH 21" OUTLET - USE FOR 9'-12' DIA MH
 48/24R72 - 48" DROP BOWL WITH 24" OUTLET - USE FOR 6' DIA MH
 48/24R96 - 48" DROP BOWL WITH 24" OUTLET - USE FOR 7' - 8' DIA MH
 48/24R144 - 48" DROP BOWL WITH 24" OUTLET - USE FOR 9' - 12' DIA MH



SIDE VIEW



TOP VIEW



FRONT VIEW

RELINER 3" STAINLESS STEEL WEDGE ANCHORS

THE "36/21" BOWL WILL SERVICE UP THROUGH FULL 24" INLETS AND CAN BE USED FOR 27" AND 30" MODERATE FLOW INLETS. THE "48/24" BOWL WILL SERVICE UP THROUGH FULL 36" INLETS. CAN BE USED FOR 42" MODERATE FLOW INLETS. ALL SIZES ARE FOR RETROFIT OR NEW CONSTRUCTION. FABRICATED IN MARINE GRADE FIBERGLASS AND FINISHED IN BRIGHT WHITE GEL COAT.

USE 8 - 3" RELINER WEDGE ANCHORS FOR "36/21" BOWLS AND 10 - 3" WEDGE ANCHORS FOR "48/24" BOWLS TO ATTACH DROP BOWL TO MANHOLE WALL. USE RELINER STAINLESS STEEL PIPE BRACKETS TO SUPPORT DOWN PIPE. EXTERNAL PIPE COUPLER REQUIRED. PROVIDE SWEEP AT DOWN PIPE OUTLET.

RELINER / DURAN, INC.

53 MT. ARCHER ROAD, LYME, CT. 06371
(800) 508-6001 FAX: (877)434-3197

WWW.RELINER.COM

DESCRIPTION
36/21R DROP BOWLS
48/24R DROP BOWLS
FOR ROUND WALLS

DATE
11/28/16

SCALE
NONE

DRAWING NUMBER
36/21R 48/24R

MADE IN U.S.A.
U.S. PAT. # 6074130
CANADIAN PAT. # 2269565