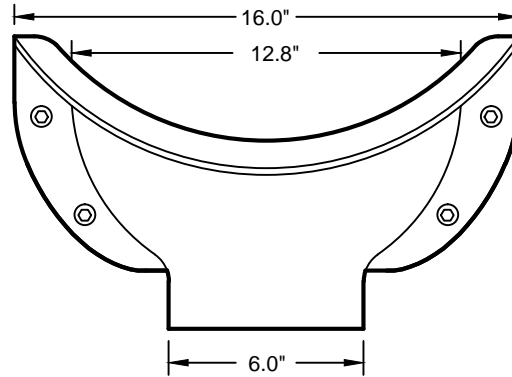
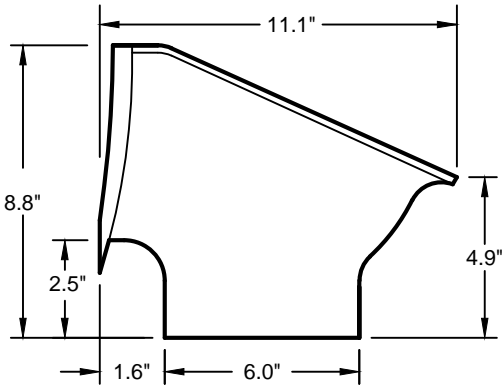
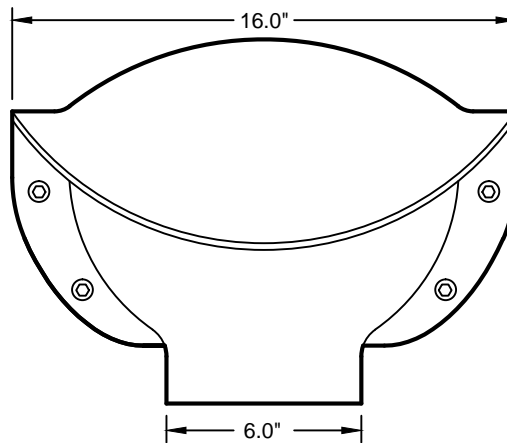
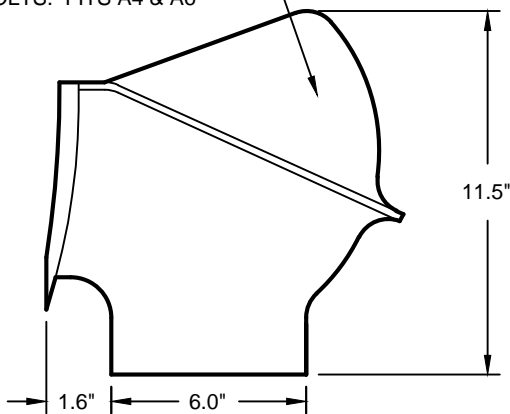


"A-4" DROP BOWL



"A-6" DROP BOWL

HOOD ATTACHES WITH 4 STAINLESS STEEL BOLTS. FITS A4 & A6



"A-6" DROP BOWL WITH OPTIONAL FORCE LINE HOOD

MODEL #

- A4DB - 12" DROP BOWL WITH 4" OUTLET - USE FOR 4' - 5' DIA MH
- A4R96 - 12" DROP BOWL WITH 4" OUTLET - USE FOR 6' - 8' DIA MH
- A6DB - 12" DROP BOWL WITH 6" OUTLET - USE FOR 4' - 5' DIA MH
- A6R96 - 12" DROP BOWL WITH 6" OUTLET - USE FOR 6' - 8' DIA MH

THE "A-4" BOWL WILL SERVICE UP THROUGH FULL 6" INLETS. THE "A-6" BOWL WILL SERVICE UP THROUGH FULL 8" INLETS. CAN BE USED FOR 10" INLET MODERATE FLOWS. ALL SIZES ARE FOR RETROFIT OR NEW CONSTRUCTION. FABRICATED IN MARINE GRADE FIBERGLASS AND FINISHED IN BRIGHT WHITE GEL COAT.

USE 4 RELINER ANCHOR ASSEMBLIES TO ATTACH DROP BOWL TO MANHOLE WALL. USE RELINER STAINLESS STEEL PIPE BRACKETS TO SUPPORT DOWN PIPE. EXTERNAL PIPE COUPLER REQUIRED. PROVIDE SWEEP AT DOWN PIPE OUTLET.

MADE IN U.S.A.
U.S. PAT. # 6074130
CANADIAN PAT. # 2269565

RELINER / DURAN, INC.		
53 MT. ARCHER ROAD, LYME, CT. 06371 (800) 508-6001 FAX: (877)434-3197 WWW.RELINER.COM		
DESCRIPTION	DATE	SCALE
A4 & A6 DROP BOWLS FOR ROUND WALLS	11/28/16	NONE
DRAWING NUMBER		
A4DB A6DB		