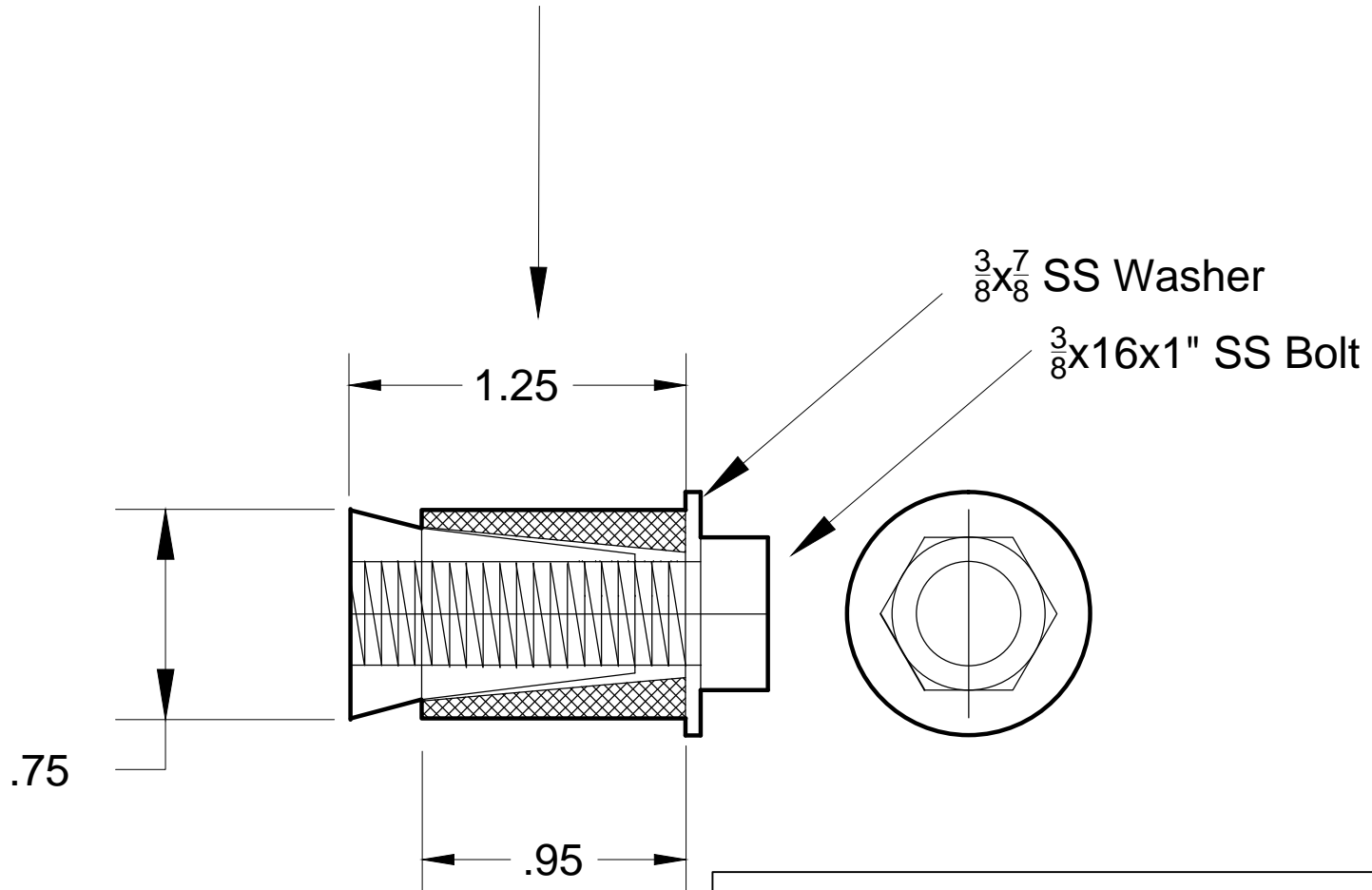


$\frac{3}{8}$ x16x1.25" Anchor Zinc Alloy Lead



RELINER / DURAN, INC.

53 MT. ARCHER ROAD, LYME, CT. 06371

(800) 508-6001 FAX: (877) 434-3197

DESCRIPTION	DATE	SCALE
ANCHOR	11-28-16	NONE
	DRAWING NUMBER	
ANCH		