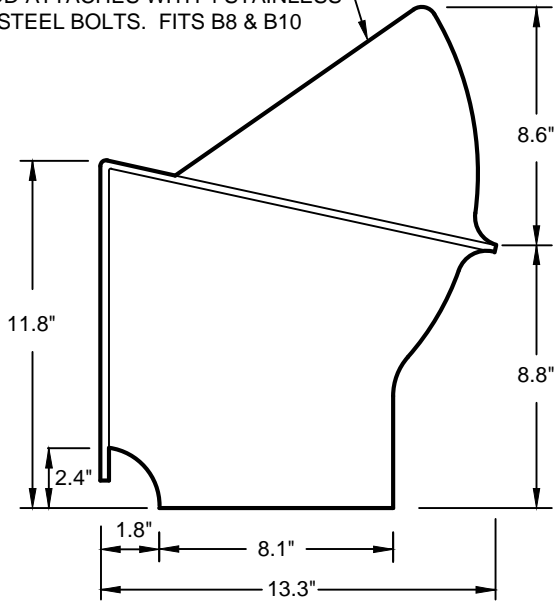
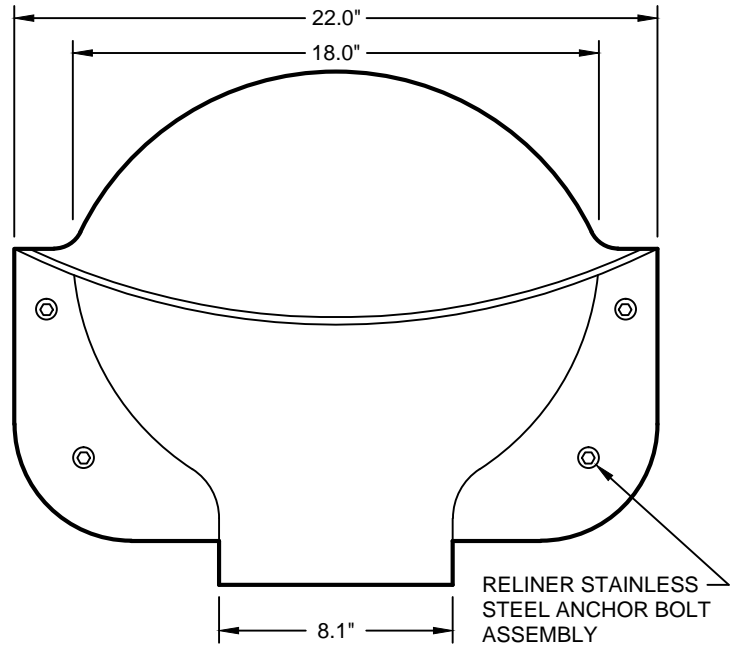


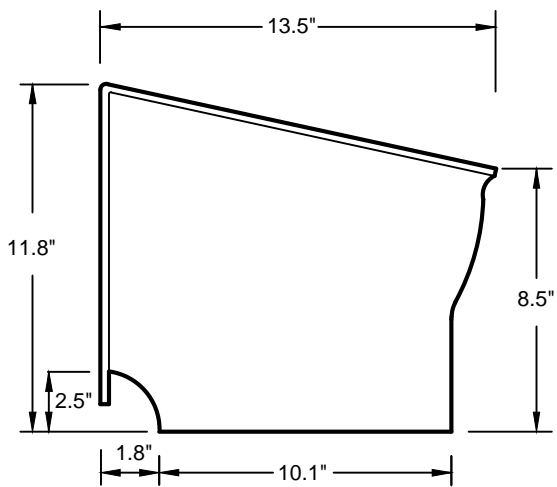
OPTIONAL HOOD FOR "B" SERIES HOOD ATTACHES WITH 4 STAINLESS STEEL BOLTS. FITS B8 & B10



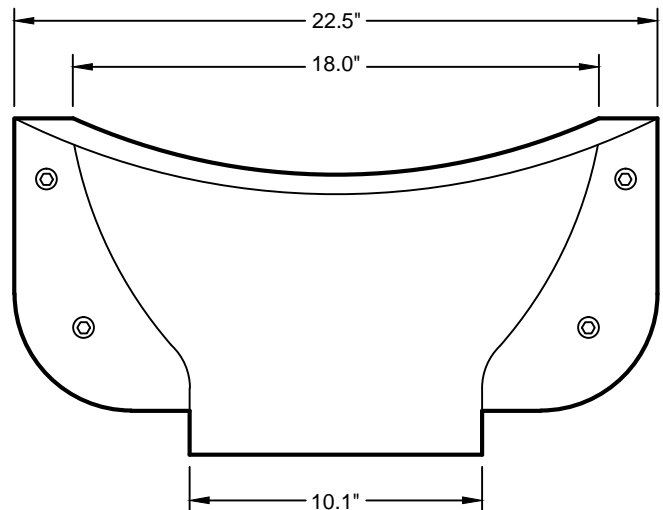
"B-8F" DROP BOWL



RELINER STAINLESS STEEL ANCHOR BOLT ASSEMBLY



"B-10F" DROP BOWL



MODEL #

- B8FDB - 18" DROP BOWL WITH 8" OUTLET - USE FOR FLAT WALLS
- B10FDB - 18" DROP BOWL WITH 10" OUTLET - USE FOR FLAT WALLS

THE "B-8" BOWL WILL SERVICE UP THROUGH FULL 10" INLETS. THE "B-10" BOWL WILL SERVICE UP THROUGH FULL 12" INLETS. CAN BE USED FOR 15" AND 16" INLET MODERATE FLOWS. ALL SIZES ARE FOR RETROFIT OR NEW CONSTRUCTION. FABRICATED IN MARINE GRADE FIBERGLASS AND FINISHED IN BRIGHT WHITE GEL COAT.

USE 4 RELINER ANCHOR ASSEMBLIES TO ATTACH DROP BOWL TO MANHOLE WALL. USE RELINER STAINLESS STEEL PIPE BRACKETS TO SUPPORT DOWN PIPE. EXTERNAL PIPE COUPLER REQUIRED. PROVIDE SWEEP AT DOWN PIPE OUTLET.

MADE IN U.S.A.
U.S. PAT. # 6074130
CANADIAN PAT. # 2269565

RELINER / DURAN, INC.

53 MT. ARCHER ROAD, LYME, CT. 06371
(800) 508-6001 FAX: (877)434-3197

WWW.RELINER.COM

DESCRIPTION B8 & B10 DROP BOWLS FOR FLAT WALLS	DATE 11/28/16	SCALE NONE
	DRAWING NUMBER B8FDB B10FDB	