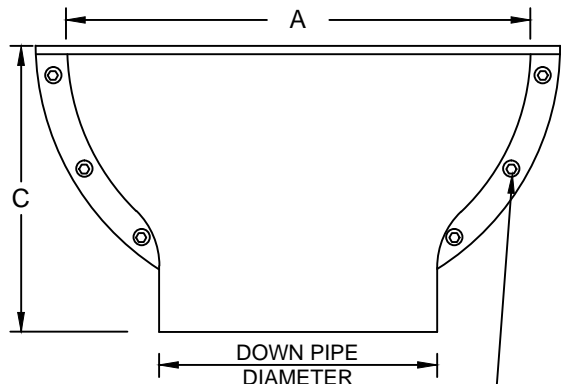
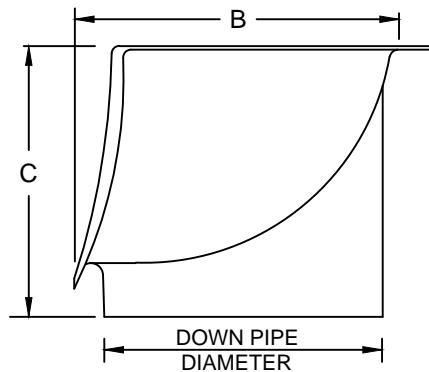


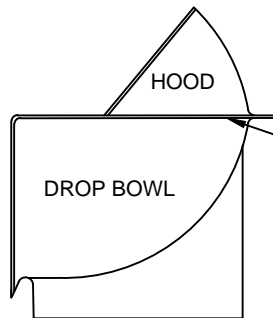
DROP BOWL TOP VIEW



DROP BOWL FRONT VIEW



DROP BOWL SIDE VIEW



OPTIONAL FORCE LINE HOOD

DROP BOWL MOUNTS TO WALL WITH RELINER STAINLESS STEEL ANCHOR BOLT ASSEMBLIES

HOOD BOLTS TO DROP BOWL WITH INCLUDED STAINLESS STEEL BOLTS

AVAILABLE FOR ALL SIZE DROP BOWLS

DROP BOWL SELECTION CHART

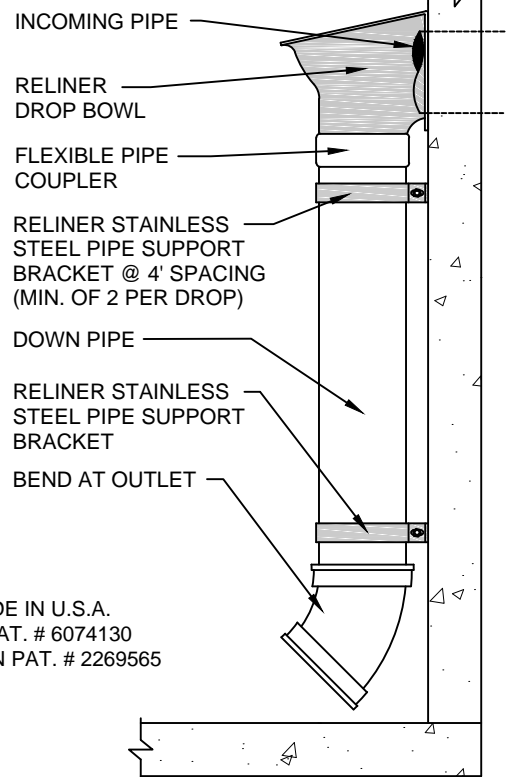
DOWN PIPE DIAMETER	MANHOLE DIAMETER					
	FLAT WALL	4' DIA	5' DIA	6' DIA	7-8' DIA	9-12' DIA
4"	A4FDB	A4DB	A4DB	A4R96	A4R96	A4R96
6"	A6FDB	A6DB	A6DB	A6R96	A6R96	A6R96
8"	B8FDB	B8DB	B8DB	B8DBR84	B8DBR84	B8R144
10"	B10FDB	B10DB	B10DB	B10R96	B10R96	B10R144
12"	24/12FDB	24/12R60	24/12R60	24/12R60	24/12R96	24/12R144
15"	24/15FDB	24/15R60	24/15R60	24/15R60	24/15R96	24/15R144
18"	30/18FDB		30/18R60	30/18R60	30/18R96	30/18R144
21"	36/21FDB		36/21R60			36/21R144
24"	48/24FDB			48/24R72	48/24R96	48/24R144

DROP BOWL DIMENSIONS

SERIES	DOWN PIPE DIAMETER				ANCHOR BOLT QUANTITY & TYPE
	WIDTH "A"	DEPTH "B"	HEIGHT "C"		
A4	4"	12"	9.5"	8.9"	4 - 1" TAMP-IN
A6	6"	12"	11.1"	8.8"	4 - 1" TAMP-IN
B8	8"	18"	13.0"	11.5"	4 - 1" TAMP-IN
B10	10"	18"	13.5"	11.5"	4 - 1" TAMP-IN
24/12	12"	24"	16.5"	15.0"	6 - 1" TAMP-IN
24/15	15"	24"	19.3"	15.8"	6 - 1" TAMP-IN
30/18	18"	30"	23.5"	18.5"	6 - 1" TAMP-IN
36/21	21"	36"	31.6"	23.0"	8 - 3" WEDGE
48/24	24"	48"	30.5"	30.0"	10 - 3" WEDGE

RELINER INSIDE DROP BOWLS ARE FABRICATED IN MARINE GRADE FIBERGLASS AND FINISHED IN BRIGHT WHITE GEL COAT.

USE RELINER STAINLESS STEEL PIPE BRACKETS TO SUPPORT DOWN PIPE. EXTERNAL PIPE COUPLER REQUIRED. PROVIDE SWEEP AT DOWN PIPE OUTLET.



TYPICAL INSTALLATION

MADE IN U.S.A.
U.S. PAT. # 6074130
CANADIAN PAT. # 2269565

RELINER / DURAN, INC.

53 MT. ARCHER ROAD, LYME, CT. 06371
(800) 508-6001 FAX: (860)434-3195

WWW.RELINER.COM

DESCRIPTION	DATE	SCALE
SANITARY MANHOLE INSIDE DROP BOWL	12/14/15	NONE
	DRAWING NUMBER DROP BOWL	