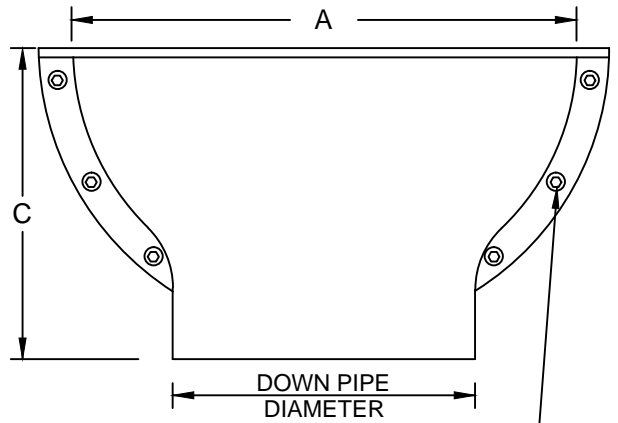


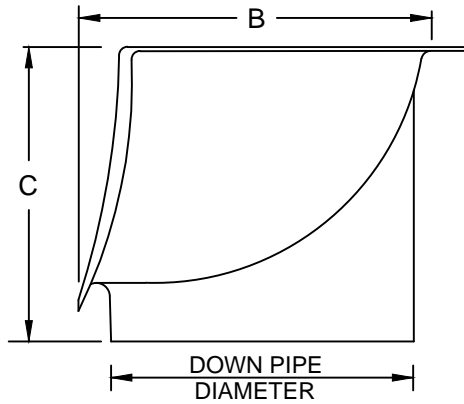
DROP BOWL TOP VIEW



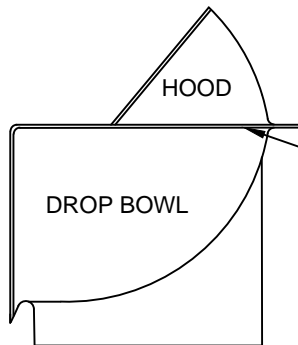
DROP BOWL FRONT VIEW

DROP BOWL MOUNTS TO WALL WITH RELINER STAINLESS STEEL ANCHOR BOLT ASSEMBLIES

HOOD BOLTS TO DROP BOWL WITH INCLUDED STAINLESS STEEL BOLTS



DROP BOWL SIDE VIEW



AVAILABLE FOR ALL SIZE DROP BOWLS
OPTIONAL FORCE LINE HOOD

INCOMING PIPE

RELINER DROP BOWL

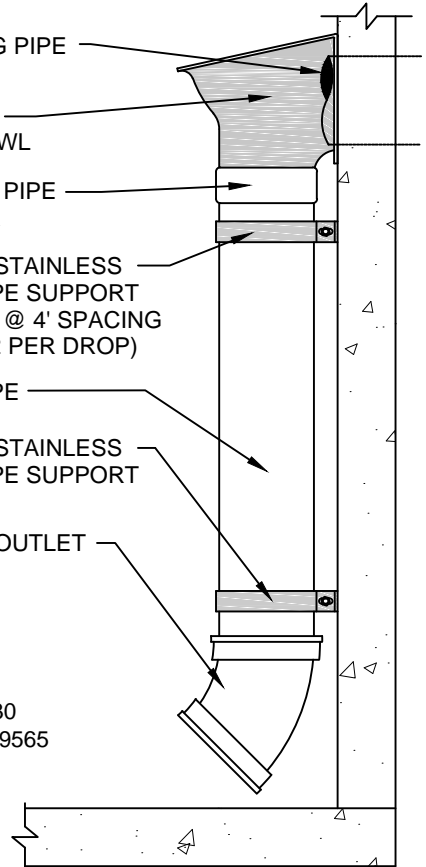
FLEXIBLE PIPE COUPLER

RELINER STAINLESS STEEL PIPE SUPPORT BRACKET @ 4' SPACING (MIN. OF 2 PER DROP)

DOWN PIPE

RELINER STAINLESS STEEL PIPE SUPPORT BRACKET

BEND AT OUTLET



TYPICAL INSTALLATION

MADE IN U.S.A.
U.S. PAT. # 6074130
CANADIAN PAT. # 2269565

DROP BOWL SELECTION CHART

DOWN PIPE DIAMETER	MANHOLE DIAMETER					
	FLAT WALL	4' DIA	5' DIA	6' DIA	7-8' DIA	9-12' DIA
4"	A4FDB	A4DB	A4DB	A4R96	A4R96	
6"	A6FDB	A6DB	A6DB	A6R96	A6R96	
8"	B8FDB	B8DB	B8DB	B8DBR84	B8DBR84	B8R144
10"	B10FDB	B10DB	B10DB	B10R96	B10R96	B10R144
12"	24/12FDB	24/12R60	24/12R60	24/12R60	24/12R96	24/12R144
15"	24/15FDB	24/15R60	24/15R60	24/15R60	24/15R96	24/15R144
18"	30/18FDB		30/18R60	30/18R60	30/18R96	30/18R144
21"	36/21FDB		36/21R60			36/21R144
24"	48/24FDB			48/24R72	48/24R96	48/24R144

DROP BOWL DIMENSIONS

SERIES	DOWN PIPE DIAMETER				ANCHOR BOLT QUANTITY & TYPE
	WIDTH "A"	DEPTH "B"	HEIGHT "C"		
A4	4"	12"	9.5"	8.9"	4 - 1" TAMP-IN
A6	6"	12"	11.1"	8.8"	4 - 1" TAMP-IN
B8	8"	18"	13.0"	11.5"	4 - 1" TAMP-IN
B10	10"	18"	13.5"	11.5"	4 - 1" TAMP-IN
24/12	12"	24"	16.5"	15.0"	6 - 1" TAMP-IN
24/15	15"	24"	19.3"	15.8"	6 - 1" TAMP-IN
30/18	18"	30"	23.5"	18.5"	6 - 1" TAMP-IN
36/21	21"	36"	31.6"	23.0"	8 - 3" WEDGE
48/24	24"	48"	30.5"	30.0"	10 - 3" WEDGE

RELINER INSIDE DROP BOWLS ARE FABRICATED IN MARINE GRADE FIBERGLASS AND FINISHED IN BRIGHT WHITE GEL COAT.

USE RELINER STAINLESS STEEL PIPE BRACKETS TO SUPPORT DOWN PIPE. EXTERNAL PIPE COUPLER REQUIRED. PROVIDE SWEEP AT DOWN PIPE OUTLET.

RELINER / DURAN, INC.

53 MT. ARCHER ROAD, LYME, CT. 06371
(800) 508-6001 FAX: (877)434-3197

WWW.RELINER.COM

DESCRIPTION SANITARY MANHOLE INSIDE DROP BOWL	DATE 12/28/16	SCALE NONE
	DRAWING NUMBER DB-1	