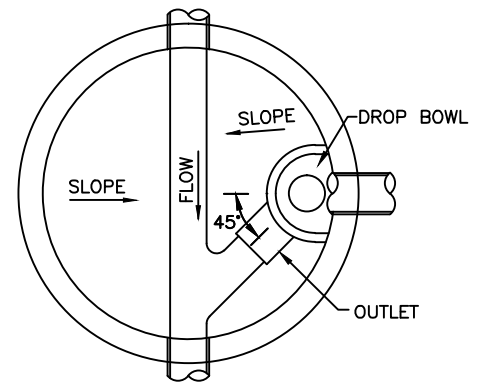


DROP BOWL
MOUNTING
POSITION



INSIDE DROP
PLAN VIEW

RELINER® INSIDE DROP BOWL
SECURED WITH STAINLESS
STEEL FASTENERS

EXTERNAL PIPE COUPLER
FERNCO OR EQUAL

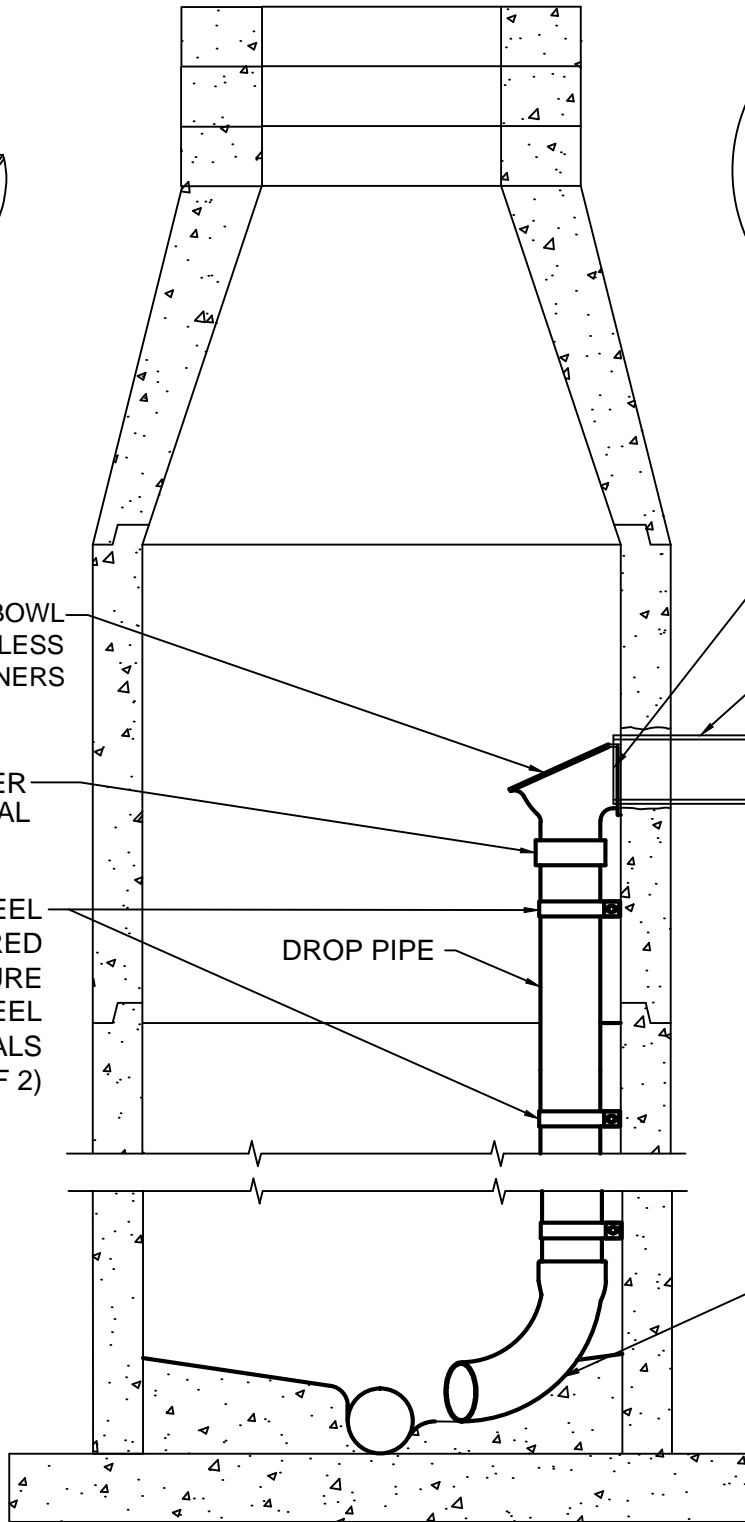
RELINER® STAINLESS STEEL
STRAPS SECURED
TO STRUCTURE
WITH STAINLESS STEEL
FASTENERS, AT 4' INTERVALS
(MIN. OF 2)

DROP PIPE

TRIM PIPE TO 2" MAX
V NOTCH INVERT

INCOMING SEWER

GLUE FITTING
BELL & SPIGOT
SWEEP ELBOW
EMBEDDED IN
CONC. AT 45°
W/ SEWER FLOW



INSIDE DROP CONNECTION

NOTES:

- ALL INSIDE DROP CONNECTIONS FOR SERVICES AND COLLECTOR SEWERS SHALL USE THE DROP BOWL AS PRODUCED BY:
RELINER-DURAN, INC.
53 MT. ARCHER RD,
LYME, CT 06371
(860)434-0277 FAX: (877)434-3197
- SECURE DROP PIPE TO MANHOLE WALL WITH RELINER-DURAN, INC STAINLESS STEEL ADJUSTABLE CLAMPING BRACKETS.

RELINER / DURAN, INC.

53 MT. ARCHER ROAD, LYME, CT. 06371

(800) 508-6001 FAX: (877)434-3197

WWW.RELINER.COM

DESCRIPTION	DATE	SCALE
DROP CONNECTIONS	12/28/16	NONE
	DRAWING NUMBER DC-1	